

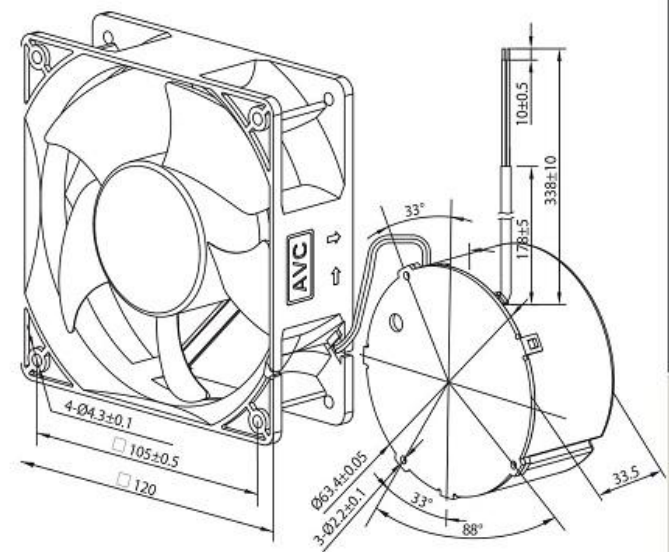
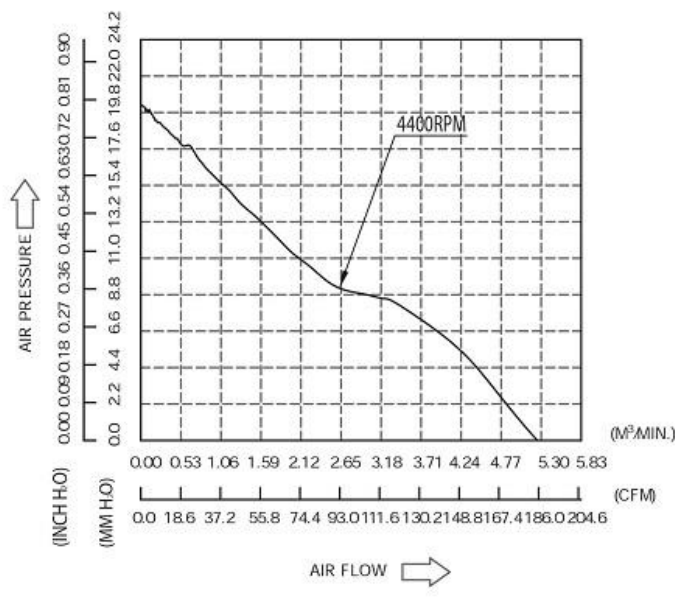
# EC AXIAL FANS

## D7 SERIES 120x120x38 mm

- \* Material:  
Impeller: Plastic (UL94V-0)  
Frame: Plastic
- \* Lead Wires: Wire
- \* Impeller: 5 Blades
- \* Rotational direction: CCW looking at rotor
- \* Mass: 498g
- \* Air flow direction: inlet looking at rotor
- \* Type of protection: IP54



MODEL	Bearing Type	Operating Voltage Range	Frequency	Current Rated	Power Input Rated	Speed	Air Flow Maximum	Air Pressure Maximum	Temperature Range	Acoustic Noise	Service Life L10 at 40°C	Certification
PART NO.	B.T.S.R	VAC	Hz	Amp	Watt	R.P.M.	CFM	INCH H <sub>2</sub> O	°C	dB-A	Hour	
D7AA1238BBUCZAW	B	220~240	50/60	0.165	21.5	4400	185	0.80	-20~70	62	70000	UL, TUV, CE, CCC



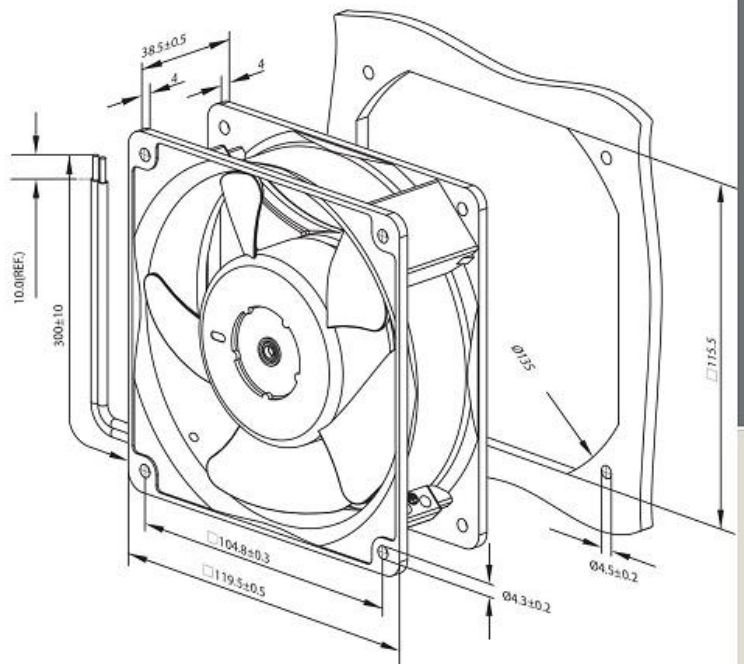
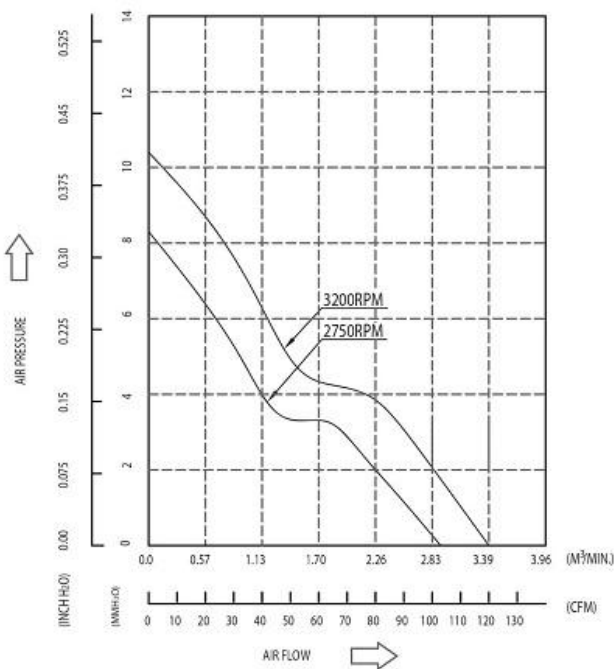
# AC AXIAL FANS

## D7 SERIES 120x120x38 mm

- \* Material: Impeller: Plastic (UL 94 V0) Frame: Aluminum Alloy
- \* Lead Wires: Wire/Terminal
- \* Impeller: 5 Blades Type of protection: IP54
- \* Mass: 486g
- \* Air flow direction: inlet looking at rotor



MODEL	Bearing Type	Voltage Rated	Operating Voltage Range	Frequency	Current Rated	Power Input Rated	Speed	Air Flow Maximum	Air Pressure Maximum	Temperature Range	Service Life L10 at 40°C	Acoustic Noise	Certification
PART NO.	B.T.S.R	VAC	VAC	Hz	Amp	Watt	R.P.M.	CFM	INCH H <sub>2</sub> O	°C	Hour	dB-A	
D7KB1238BH5w	B	230	220 to 240	50/60	0.07/0.07	15/15	2750/3200	101.5/119	0.35/0.44	-10~70	50000	44/48	UL, TUV, CE, CCC
D7KA1238BAH5w	B	115	105 to 125	50/60	0.11/0.11	11.5/11.5	2750/3200	101.5/119	0.35/0.44	-10~70	50000	44/48	UL, CCC



# AC AXIAL FANS

## D7 SERIES 120×120×38 mm

- \* Material: Impeller: Plastic (UL 94 V0) Frame: Aluminum Alloy
- \* Lead Wires: Wire/Terminal
- \* Impeller: 5 Blades Type of protection: IP54
- \* Rotational direction : CW looking at rotor
- \* Mass: 482g
- \* Air flow direction: outlet looking at rotor



MODEL	Bearing Type	Voltage Rated	Operating Voltage Range	Frequency	Current Rated	Power Input Rated	Speed	Air Flow Maximum	Air Pressure Maximum	Temperature Range	Service Life L10 at 40 C	Acoustic Noise	Certification
PART NO.	B.T.S.R	VAC	VAC	Hz	Amp	Watt	R.P.M.	CFM	INCH H <sub>2</sub> O	°C	Hour	dB-A	
D7KC12388BH5W	B	230	220 to 240	50/60	0.07/0.07	15/15	2750/3200	98.5/117	0.25/0.34	-10~70	50000	48/53	UL, TUV, CE, CCC
D7KB1238BAH5W	B	115	105 to 130	50/60	0.11/0.11	11.5/11.5	2750/3200	98.5/117	0.25/0.34	-10~70	50000	48/53	UL, CCC

