

DC AXIAL FANS

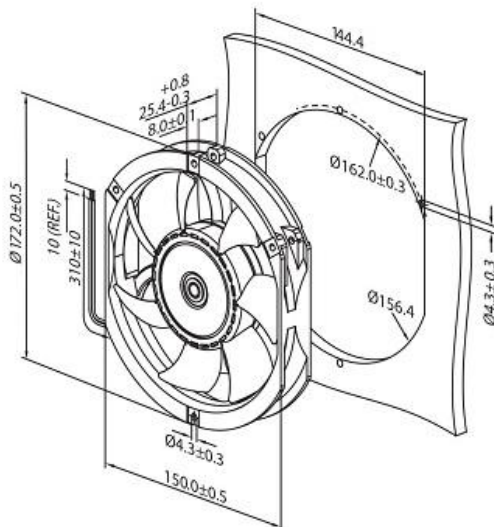
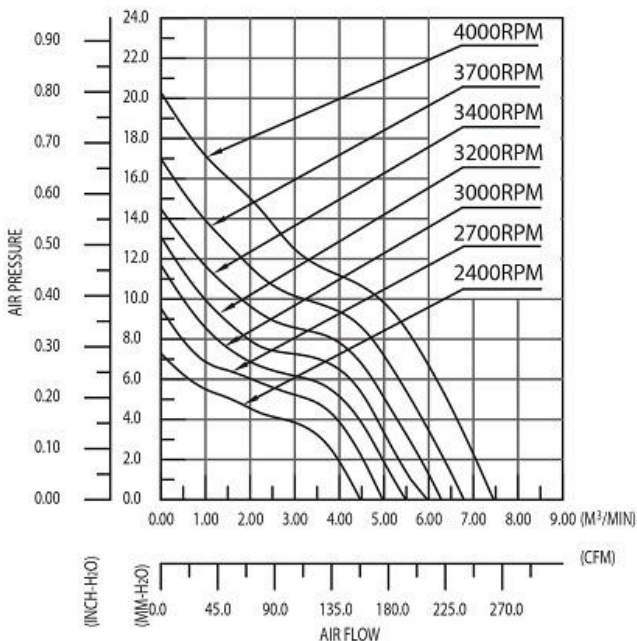
DATA SERIES 172x150x25 mm 48v

- * Material: Impeller: Plastic (UL 94V-0) & Frame: Diecast Aluminum
- * Lead Wires: UL 1007 AWG #24 or Equivalent
- * Impeller: 7 Blades
- * Rotational direction CW view from front face
- * Weight: 450g (15.87 OZ)



ASIA VITAL COMPONENTS CO., LTD. Six Sigma

MODEL	Bearing Type	Rated Voltage	Operating Voltage Range	Rated Current	Rated Input Power	Speed	Maximum Air Flow	Maximum Air Pressure	Acoustic Noise	Life expectancy L10@40°C			
PART NO.	SIGNAL	B.T.S.R	VDC	VDC	Amp	Watt	R.P.M.	m ³ /min	CFM	mmH ₂ O	IN H ₂ O	dB-A	hours
* DATA1525_8X	-FG/RD	B	48	32.0 to 80	0.14	6.72	2400	4.300	151.84	7.28	0.287	47.1	157500
DATA1525_8E	-FG/RD	B	48	32.0 to 80	0.19	9.12	2700	4.874	172.13	9.57	0.377	50.7	157500
* DATA1525_8L	-FG/RD	B	48	32.0 to 80	0.23	11.04	3000	5.524	195.07	11.78	0.464	53.0	157500
DATA1525_8M	-FG/RD	B	48	32.0 to 80	0.29	13.92	3200	5.952	210.20	13.10	0.516	54.9	157500
* DATA1525_8H	-FG/RD	B	48	32.0 to 80	0.35	16.80	3400	6.173	218.01	14.50	0.571	57.0	147500
DATA1525_8U	-FG/RD	B	48	32.0 to 80	0.43	20.64	3700	6.760	238.73	17.00	0.669	59.6	147500
* DATA1525_8S	-FG/RD	B	48	32.0 to 80	0.58	27.84	4000	7.453	263.21	20.30	0.800	61.3	125000



DC AXIAL FANS

DATA SERIES 172×150×25 mm

- * Material: Impeller: Plastic (UL 94V-0) & Frame: Diecast Aluminum
- * Lead Wires: UL 1007 AWG #24 or Equivalent
- * Impeller: 7 Blades
- * Rotational direction CW view from front face
- * Weight: 450g (15.87 OZ)



ASIA VITAL COMPONENTS CO., LTD. Six Sigma

MODEL	Bearing Type	Rated Voltage	Operating Voltage Range		Rated Current	Rated Input Power	Speed	Maximum Air Flow		Maximum Air Pressure		Acoustic Noise	Life expectancy L ₁₀ @40°C
PART NO.	SIGNAL	B.T.S.R	VDC	VDC	Amp	Watt	R.P.M.	m ³ /min	CFM	mmH ₂ O	IN H ₂ O	dB-A	hours
* DATA1525_2X	-FG/RD	B	12	7 to 13.2	0.56	6.72	2400	4.300	151.84	7.28	0.287	47.1	157500
DATA1525_2E	-FG/RD	B	12	7 to 13.2	0.71	8.52	2700	4.874	172.13	9.57	0.377	50.7	157500
* DATA1525_2L	-FG/RD	B	12	7 to 13.2	1.02	12.24	3000	5.524	195.07	11.78	0.464	53.0	157500
DATA1525_2M	-FG/RD	B	12	7 to 13.2	1.18	14.16	3200	5.952	210.20	13.10	0.516	54.9	157500
* DATA1525_2H	-FG/RD	B	12	7 to 13.2	1.40	16.80	3400	6.173	218.01	14.50	0.571	57.0	147500
DATA1525_2U	-FG/RD	B	12	7 to 13.2	1.84	22.08	3700	6.760	238.73	17.00	0.669	59.6	147500
* DATA1525_2S	-FG/RD	B	12	7 to 13.2	2.27	27.24	4000	7.453	263.21	20.30	0.800	61.3	125000

